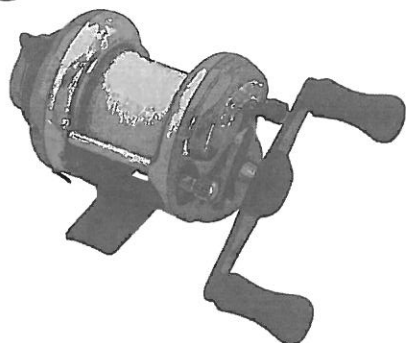


MR. CRAPPIE® Slab Shaker™

Crappie Reels

SS1

SSC



Mr. Crappie Reels are designed for
tough lightweight performance.

MR. CRAPPIE® Slab Shaker™

Reel Specifications

Model	Weight	Ball Bearings	Gear Ratio	Line Line Capacity
SS1	3.4 OZ.	1	3.6:1	90/6

FEATURES:

- Unique Mr. Crappie® cosmetics
- Strong, plated metal frame
- Anti-reverse lever
- Dual grip handle
- Audible bait clicker
- Spool tension adjustment control
- Gear ratio 3.6:1
- Line capacity 90 yards/6 lb. mono
- Dual side plate screws for easy spool access
- Pre-spooled with premium Mr. Crappie® line

Maintenance and Care

While applying lubricant to your Mr Crappie® reel, avoid using multi-purpose oil. Use lightweight silicone based oils or greases made for fishing reels. Apply oil to all bearings, the crank shaft, and the worm gear. Apply grease to the bushings, pinion gears, drive gears, and crank gears. **fig 1**

After usage your reel should be inspected for dirt or sand and cleaned if excessive buildup is present. If your reel has come in contact with saltwater it is important to flush all parts with water, dry and re-lubricate your reel. Through diligent cleaning and maintenance your Mr Crappie® reel will provide you with years of reliability and sound performance.

For professional cleaning and maintenance send your reel postage prepaid to:
Do Outdoors, 2253 E. Bennett St., Springfield, MO 65804
417-881-5397, www.mrcrappie.com

One Year Limited Warranty

Mr Crappie® Warrants its products¹ to withstand normal² use for the purpose designed and intended when manufactured for a period of one (1) year from the original retail sale date to the original retail consumer. Mr Crappie® will at its option repair or replace³ Mr Crappie® products when required for the warranty period and return⁴ the product to the owner at no additional⁵ cost to the owner.

¹Numerous products have been manufactured under variations of the Mr Crappie® name and under the Mr Crappie® Logo by multiple businesses in the past years. This warranty is specifically for products manufactured on behalf of Mr Crappie® of Springfield, Missouri USA since March 1, 2011. Mr Crappie® products manufactured by or on behalf of other entities prior to March 1, 2011 are not covered by this warranty. In all circumstances, this Warranty is Limited in Value to the original retail value of the product and is limited to actual damage to the Mr Crappie® product and only the Mr Crappie® product. ²Loss of a product, and loss/damage of a product or parts due to the attempted repair or servicing of a Mr Crappie® product by any person or business other than Mr Crappie® or Mr Crappie® Authorized Warranty Service Agent, and damage caused by or resulting from abuse, misuse, lack of recommended maintenance, accident, acts of God, and shipping damages occurring in transit to Mr Crappie® or Mr Crappie® Authorized Agent are outside the scope of Mr Crappie® Limited Warranty and will be repaired through Mr Crappie® after warranty services at the expense of the consumer. ³Any products replaced by Mr Crappie® will be new or remanufactured by a Mr Crappie® Authorized Agent with the same or next model upgrade product. ⁴Mr Crappie® will return warranted products to the consumer by reasonable means as determined by Mr Crappie®. ⁵Express or expedited services are the responsibility of the consumer as is sending the product to Mr Crappie® or Mr Crappie® Authorized Agent, for Warranty Service. Mr Crappie® and Mr Crappie® Service Agents as authorized by Mr Crappie® are the sole agents authorized to repair or replace Mr Crappie® products under the terms of this warranty. Only written changes by an officer of Mr Crappie® can alter the terms or conditions of this warranty.

This warranty gives you specific legal rights including additional rights extended by some states which do not allow certain exclusions and limitations. Any action brought against Mr Crappie® for the purpose of settling a warranty dispute shall be brought and litigated in the State of Missouri, County of Greene.

Do Outdoors 2253 E Bennett, Springfield, MO 65804 Phone 1-417-881-5397 FAX: 1-417-881-5387

MR. CRAPPIE® Slab Shaker™

Crappie Reels SS1

SSC

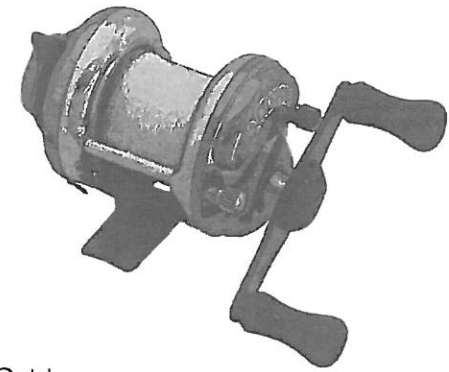
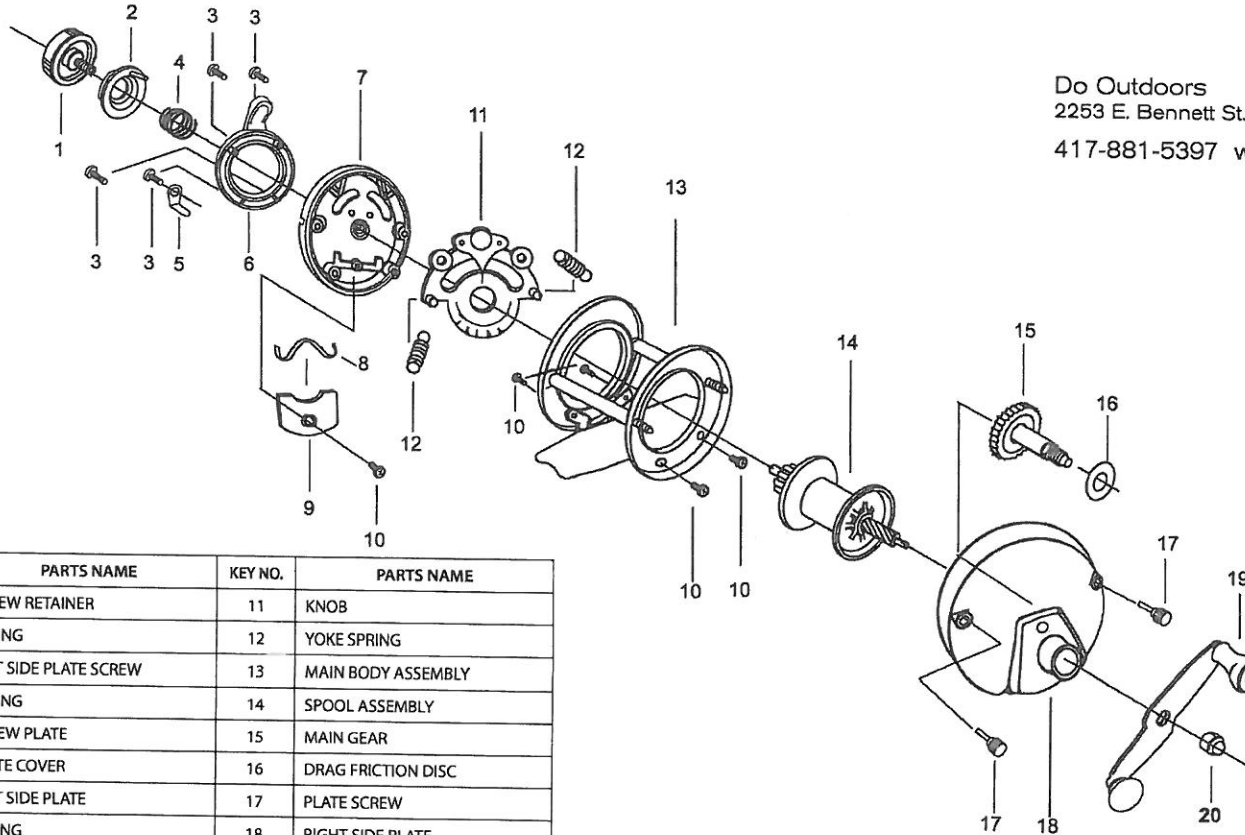


fig 1 To remove side cover unscrew side-plate screws pry front cover away from body to access components



Do Outdoors
 2253 E. Bennett St. Springfield, MO 65804
 417-881-5397 www.mrcrappie.com

KEY NO.	PARTS NAME	KEY NO.	PARTS NAME
1	SCREW RETAINER	11	KNOB
2	SPRING	12	YOKE SPRING
3	LEFT SIDE PLATE SCREW	13	MAIN BODY ASSEMBLY
4	SPRING	14	SPOOL ASSEMBLY
5	SCREW PLATE	15	MAIN GEAR
6	PLATE COVER	16	DRAG FRICTION DISC
7	LEFT SIDE PLATE	17	PLATE SCREW
8	SPRING	18	RIGHT SIDE PLATE
9	HOLDING PLATE	19	CRANK HANDLE ASSEMBLY
10	KEEPER SCREW	20	HANDLE NUT